

ABSOLUTE AOS Digimatic Caliper

ABSOLUTE®



Functions	Series 500
ORIGIN (ABS-Zero)	●
ZERO/ABS	●
ON/OFF	●
Low voltage alarm	●

Specifications

Accuracy	≤ 200 mm : ±0,02 mm / > 200 mm : ±0,03 mm (excluding quantizing error)
Digital step	0,01 mm
Max. response speed	Unlimited
Battery life	approx. 18000 hours
Display	LCD, Character Height 9 mm (150, 200 mm) 11 mm (300 mm)
Delivered	In a case, including 1 battery

Optional accessories

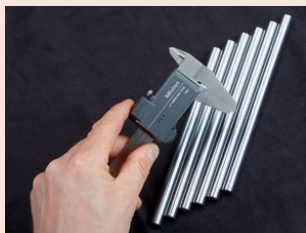
No.	Description
959149	Digimatic Cable, Straight, Data Button, 1m
959150	Digimatic Cable with Data Button, 2m
06AFM380C	USB Input Tool Direct (Digimatic USB), Digi/Digi2, Straight, with Data Button
264-620	U-WAVE fit, IP67 Type, Wireless Transmitter for Caliper
264-621	U-WAVE fit, Buzzer Type, Wireless Transmitter for Caliper
02AZF300	Connection Unit, U-WAVE fit, Standard Type
959143	Data Hold Unit
050083-10	Depth Base Attachment for Caliper, 75mm width, for 100, 150, 200mm range
050084-10	Depth Base Attachment for Caliper, 100 mm width, for 100mm, 100, 150, 200mm range
050085-10	Depth Base Attachment for Caliper, 125mm width for 300mm Range

Consumable spares

No.	Description
938882	Battery SR44 1.5V



Round depth bar type



Caliper with Wireless System U-WAVE fit



Scan QR Code with your mobile device and watch our product videos on YouTube

Series 500

This digimatic caliper allows you to take reliable measurements and offers you the following benefits:

- AOS (Advanced Onsite Sensor) induction type encoder used in top-of-the-line ABS coolant-proof calipers
- Thanks to the adoption of the electromagnetic induction type ABS encoder, this caliper can be used without concern for contamination on the scale face during measurement. Detection signal is not affected by dirt (water, oil, etc.) on surface of a scale.
- The slider provides smooth, stable and comfortable operation.
- Character height: 9 mm (150 and 200 mm), 11 mm (300 mm)
- ABS (ABSOLUTE) scale requires no origin setting after power-on and has no limit to response speed.



500-181-30

Metric

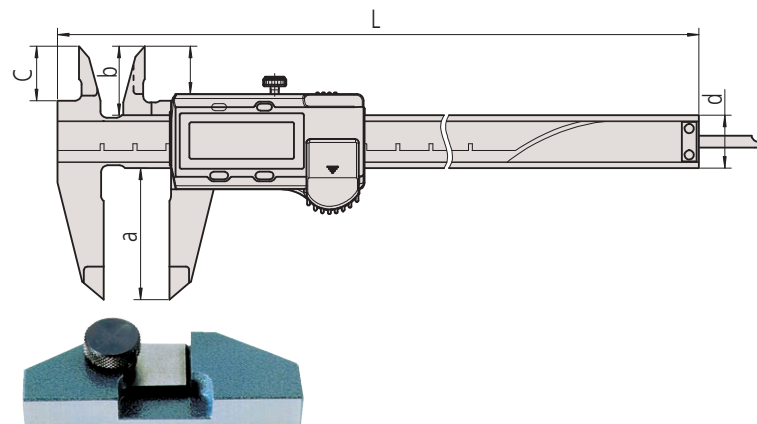
Without thumb roller

No.	Range [mm]	Depth bar	Data output	L [mm]	a [mm]	b [mm]	c [mm]	d [mm]	Mass [g]
500-180-30	0-100	∅ 1,9 mm		182	40	21	16,5	16	142
500-201-30	0-100	∅ 1,9 mm	●	182	40	21	16,5	16	143
500-184-30	0-150	∅ 1,9 mm		233	40	21	16,5	16	164
500-203-30	0-150	∅ 1,9 mm	●	233	40	21	16,5	16	168
500-181-30	0-150	flat		233	40	21	16,5	16	164
500-161-30	0-150	flat	●	233	40	21	16,5	16	164
500-182-30	0-200	flat		290	50	24,5	20	16	194
500-162-30	0-200	flat	●	290	50	24,5	20	16	194
500-205-30	0-300	flat	●	404	64	27,5	22	20	350

Metric

With thumb roller

No.	Range [mm]	Depth bar	Data output	L [mm]	a [mm]	b [mm]	c [mm]	d [mm]	Mass [g]
500-150-30	0-100	∅ 1,9 mm	●	182	40	21	16,5	16	143
500-151-30	0-150	flat	●	233	40	21	16,5	16	164
500-158-30	0-150	∅ 1,9 mm	●	233	40	21	16,5	16	164
500-152-30	0-200	flat	●	290	50	24,5	20	16	194
500-153-30	0-300	flat	●	404	64	27,5	22	20	350



050083-10