

# Dial Height Gage

**SERIES 192 — with Digital Counter**

## FEATURES

- Easy and error-free reading with both up and down digital counters, as well as a dial.
- Provided with a feed wheel for easy coarse feeding.
- Carbide-tipped scriber is provided.
- The counters and dial can be re-zeroed at any scriber position.

## SPECIFICATIONS

### Metric

Range	Order No.	Accuracy	Graduation	Mass (kg)
0 - 300mm	<b>192-130</b>	±0.03mm	0.01mm	4.2
0 - 450mm	<b>192-131</b>	±0.05mm	0.01mm	9.2
0 - 600mm	<b>192-132</b>	±0.05mm	0.01mm	9.8
0 - 1000mm	<b>192-133</b>	±0.07mm	0.01mm	17.0

### Inch

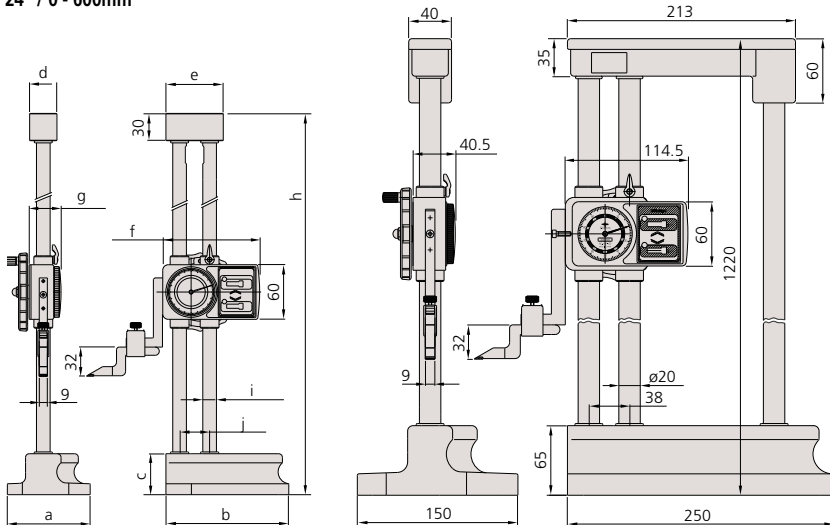
Range	Order No.	Accuracy	Graduation	Mass (kg)
0 - 12"	<b>192-150</b>	±.0015"	.001"	4.2
0 - 18"	<b>192-151</b>	±.002"	.001"	9.2
0 - 24"	<b>192-152</b>	±.002"	.001"	9.8
0 - 40"	<b>192-153</b>	±.003"	.001"	17.0

## DIMENSIONS

0 - 12" / 0 - 300mm, 0 - 18" / 0 - 450mm  
0 - 24" / 0 - 600mm

0 - 40" / 0 - 1000mm

Unit: mm



Range	a	b	c	d	e	f	g	h	i	j
0-12"/0-300mm	91	135	45	30	63	106.5	35.5	470	ø15	33
0-18"/0-450mm	120	180	54	32	70	114.5	40.5	645	ø20	38
0-24"/0-600mm	120	180	54	32	70	114.5	40.5	798	ø20	38



192-150

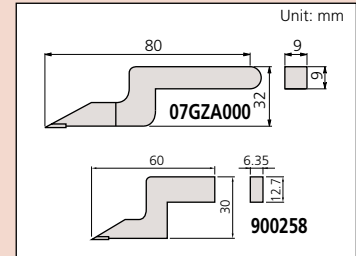
## Technical Data

Dial reading: 0.01mm or .001"

## Standard Scriber Provided

Metric models: Carbide-tipped scriber (**07GZA000**) and scriber clamp (**05GZA033**)  
Inch/Metric models: Carbide-tipped scriber (**900258**) and scriber clamp (**901385**)

## Dimension of scriber



## Optional Accessories

- 953638:** Holding bar for test indicator (length: 50mm)
- 900209:** Holding bar for test indicator (length: 100mm)
- 953639:** Holding bar for test indicator (length: 2")
- 900306:** Holding bar for test indicator (length: 4")
- 900321:** Swivel clamp used with holding bar (metric)
- 900322:** Swivel clamp used with holding bar (inch)



Comfortable grip base



Easy and secure clamping



Easy and error-free reading