



Point Micrometers

SERIES 342, 142, 112

Technical Data

Accuracy: Refer to the list of specifications.
 Resolution*: .00005" / 0.001mm or 0.001mm
 Graduation***: .001" or 0.01mm
 Display*: LCD
 Battery*: SR44 (1 pc.), **938882**
 Battery life*: Approx. 2.4 years under normal use
 Dust/Water protection level*: IP65
 *Digital models **Analog models

Function of Digital Model

Origin-set, Zero / ABS, Data hold,
 inch/mm conversion (on inch/metric models only)
 Function lock
 Alarm: Low voltage, Counting value composition error

Optional Accessories for Digital Model

05CZA662: SPC cable with data switch (40" / 1m)
05CZA663: SPC cable with data switch (80" / 2m)

FEATURES

- IP65 water/dust protection (Series 342).
- Pointed spindle and anvil for measuring the web thickness of drills, small grooves, keyways, and other hard-to-reach dimensions.
- 15 degree and 30 degree measuring points are available.
- Non-slip grip finish (digital models).
- The measuring points have approximately 0.3mm / .012" radius.
- With ratchet stop for constant force.
- With SPC output (Series 342).
- With digit counter (Series 142).
- With a standard bar except 0 - 1" and 0 - 25mm model.
- Supplied in fitted plastic case.



342-351-30



112-201

SPECIFICATIONS

| Metric | | Digital model (with carbide tip) | | | | |
|------------|------------|----------------------------------|----------|-------|----------|--|
| Range | Resolution | Order No. | Accuracy | Point | Mass (g) | |
| 0 - 25mm | 0.001mm | 342-251-30 | ±2µm | 15° | 330 | |
| | | 342-261-30 | ±2µm | 30° | 330 | |
| 25 - 50mm | 0.001mm | 342-252-30 | ±2µm | 15° | 470 | |
| | | 342-262-30 | ±2µm | 30° | 470 | |
| 50 - 75mm | 0.001mm | 342-253-30 | ±2µm | 15° | 625 | |
| | | 342-263-30 | ±2µm | 30° | 625 | |
| 75 - 100mm | 0.001mm | 342-254-30 | ±3µm | 15° | 565 | |
| | | 342-264-30 | ±3µm | 30° | 565 | |

| Inch/Metric | | Digital model (with carbide tip) | | | | |
|-----------------------------|----------------------|----------------------------------|----------|-------|----------|--|
| Range | Resolution | Order No. | Accuracy | Point | Mass (g) | |
| 0 - 1" / 0 - 25.4mm | .00005" / 0.001mm | 342-351-30 | ±.0001" | 15° | 330 | |
| | | 342-361-30 | ±.0001" | 30° | 330 | |
| 1" - 2" / 25.4 - 50.8mm | .00005" / 0.001mm | 342-352-30 | ±.0001" | 15° | 470 | |
| | | 342-362-30 | ±.0001" | 30° | 470 | |
| 2" - 3" / 50.8 - 76.2mm | .00005" / 0.001mm | 342-353-30 | ±.0001" | 15° | 625 | |
| | | 342-363-30 | ±.0001" | 30° | 625 | |
| 3" - 4" / 76.2 - 101.6mm | .00005" / 0.001mm | 342-354-30 | ±.00015" | 15° | 565 | |
| | | 342-364-30 | ±.00015" | 30° | 565 | |

| Metric | | Mechanical Counter Model | | | | |
|----------|------------|--------------------------|----------|-------|----------|--|
| Range | Graduation | Order No. | Accuracy | Point | Mass (g) | |
| 0 - 25mm | 0.01mm | 142-153* | ±3µm | 15° | 260 | |
| | | 142-201* | ±3µm | 30° | 260 | |

| Inch | | Mechanical Counter Model | | | | |
|--------|------------|--------------------------|----------|-------|----------|--|
| Range | Graduation | Order No. | Accuracy | Point | Mass (g) | |
| 0 - 1" | .001" | 142-177* | ±.00015" | 15° | 260 | |
| | | 142-225* | ±.00015" | 30° | 260 | |

*The points don't have carbide tips.

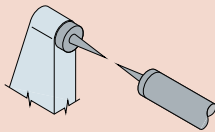
*The points don't have carbide tips.

| Metric | | Mechanical Counter Model | | | | |
|------------|------------|--------------------------|----------|-------|----------|--|
| Range | Graduation | Order No. | Accuracy | Point | Mass (g) | |
| 0 - 25mm | 0.01mm | 112-165 | ±3µm | 15° | 205 | |
| | | 112-153* | ±3µm | 15° | 205 | |
| | | 112-213 | ±3µm | 30° | 205 | |
| | | 112-201* | ±3µm | 30° | 205 | |
| 25 - 50mm | 0.01mm | 112-166 | ±3µm | 15° | 305 | |
| | | 112-154* | ±3µm | 15° | 305 | |
| | | 112-214 | ±3µm | 30° | 305 | |
| | | 112-202* | ±3µm | 30° | 305 | |
| 50 - 75mm | 0.01mm | 112-167 | ±3µm | 15° | 370 | |
| | | 112-155* | ±3µm | 15° | 370 | |
| | | 112-215 | ±3µm | 30° | 370 | |
| | | 112-203* | ±3µm | 30° | 370 | |
| 75 - 100mm | 0.01mm | 112-168 | ±4µm | 15° | 500 | |
| | | 112-156* | ±4µm | 15° | 500 | |
| | | 112-216 | ±4µm | 30° | 500 | |
| | | 112-204* | ±4µm | 30° | 500 | |

| Inch | | Mechanical Counter Model | | | | |
|--------|------------|--------------------------|----------|-------|----------|--|
| Range | Graduation | Order No. | Accuracy | Point | Mass (g) | |
| 0 - 1" | .001" | 112-189 | ±.00015" | 15° | 205 | |
| | | 112-177* | ±.00015" | 15° | 205 | |
| | | 112-237 | ±.00015" | 30° | 205 | |
| | | 112-225* | ±.00015" | 30° | 205 | |
| 1 - 2" | .001" | 112-190 | ±.00015" | 15° | 305 | |
| | | 112-178* | ±.00015" | 15° | 305 | |
| | | 112-238 | ±.00015" | 30° | 305 | |
| | | 112-226* | ±.00015" | 30° | 305 | |
| 2 - 3" | .001" | 112-191 | ±.00015" | 15° | 370 | |

*The points don't have carbide tips.

*The points don't have carbide tips.



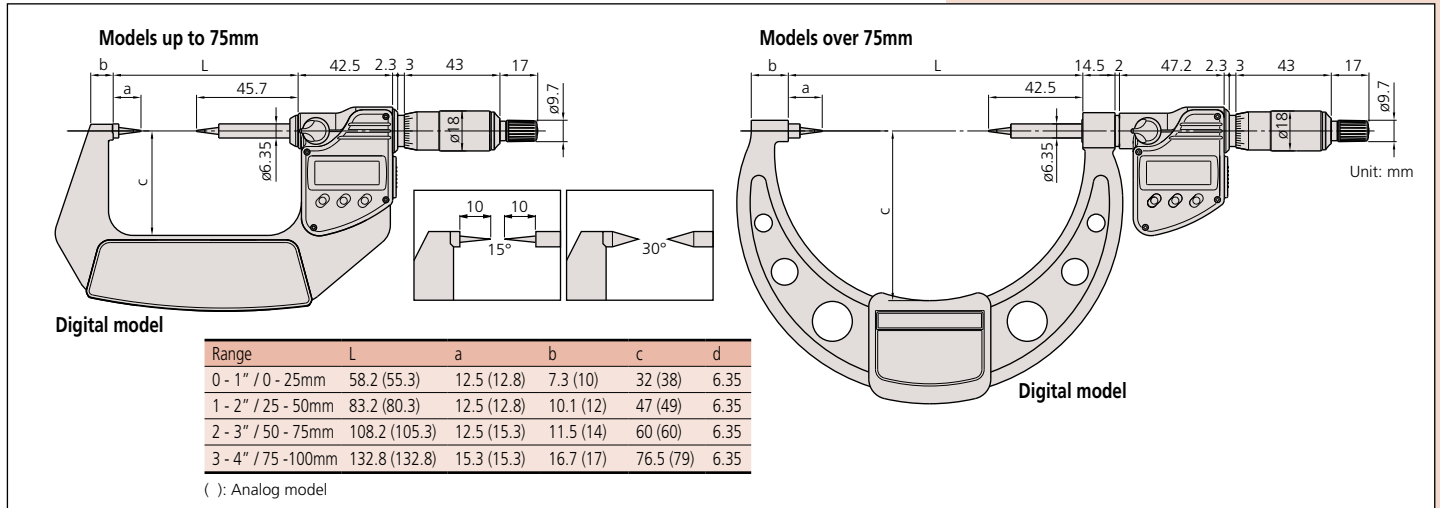
Tip angle: 15° (R0.3mm)



Tip angle: 30° (R0.3mm)



DIMENSIONS



Crimp Height Micrometers

SERIES 342, 142, 112 — Point Spindle and Blade Anvil

FEATURES

- IP54/65 water/dust protection (Series 342).
- Measures the height of crimp contacts.
- With ratchet stop for constant force.
- Non-slip grip finish (digital models)
- With SPC output (Series 342).
- With digit counter (Series 142).
- Supplied in fitted plastic case.



Technical Data

Accuracy: Refer to the list of specifications
 Resolution*: .00005" / 0.001mm or 0.001mm
 Graduation**: 0.01mm
 Display*: LCD
 Battery*: SR44 (1 pc.), **938882**
 Battery life*: Approx. 2.4 years under normal use
 (3 years: Quickmike type)
 Dust/Water protection level*: IP65 / IP54
 *Digital models **Analog models

Function of Digital Model

Origin-set, Zero / ABS (342-271-30, 342-371-30),
 Data hold, Data output, inch/mm conversion
 (on inch/metric models only)
 Function lock
 Alarm: Low voltage, Counting value composition error

Optional Accessories for Digital Model

- 05CZA662**: SPC cable with data switch (40" / 1m)
- 05CZA663**: SPC cable with data switch (80" / 2m)
- 937387**: SPC cable for Quickmike type (40" / 1m)
- 965013**: SPC cable for Quickmike type (80" / 2m)



SPECIFICATIONS

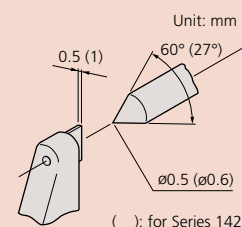
| Metric Digital model | | | | | |
|----------------------|------------|-------------------|----------|----------|--|
| Range | Resolution | Order No. | Accuracy | Mass (g) | |
| 0 - 20mm | 0.001mm | 342-271-30 | ±3µm | 270 | |

| Metric Quickmike type | | | | | |
|-----------------------|------------|----------------|----------|----------|--|
| Range | Resolution | Order No. | Accuracy | Mass (g) | |
| 0 - 15mm | 0.001mm | 342-451 | ±3µm | 275 | |

| Metric Mechanical counter model | | | | | |
|---------------------------------|------------|-----------------|----------|----------|--|
| Range | Graduation | Order No. | Accuracy | Mass (g) | |
| 0 - 25mm | 0.01mm | 142-402 | ±3µm | 200 | |
| 0 - 25mm | 0.001mm | 142-403* | ±3µm | 200 | |

| Inch/Metric Digital model | | | | | |
|---------------------------|-------------------|-------------------|----------|----------|--|
| Range | Resolution | Order No. | Accuracy | Mass (g) | |
| 0 - 0.8" / 0 - 20mm | .00005" / 0.001mm | 342-371-30 | ±.00015" | 270 | |

| Metric | | | | | |
|----------|------------|----------------|----------|----------|--|
| Range | Graduation | Order No. | Accuracy | Mass (g) | |
| 0 - 25mm | 0.01mm | 112-401 | ±3µm | 165 | |



* 0.001mm reading is obtained with vernier.