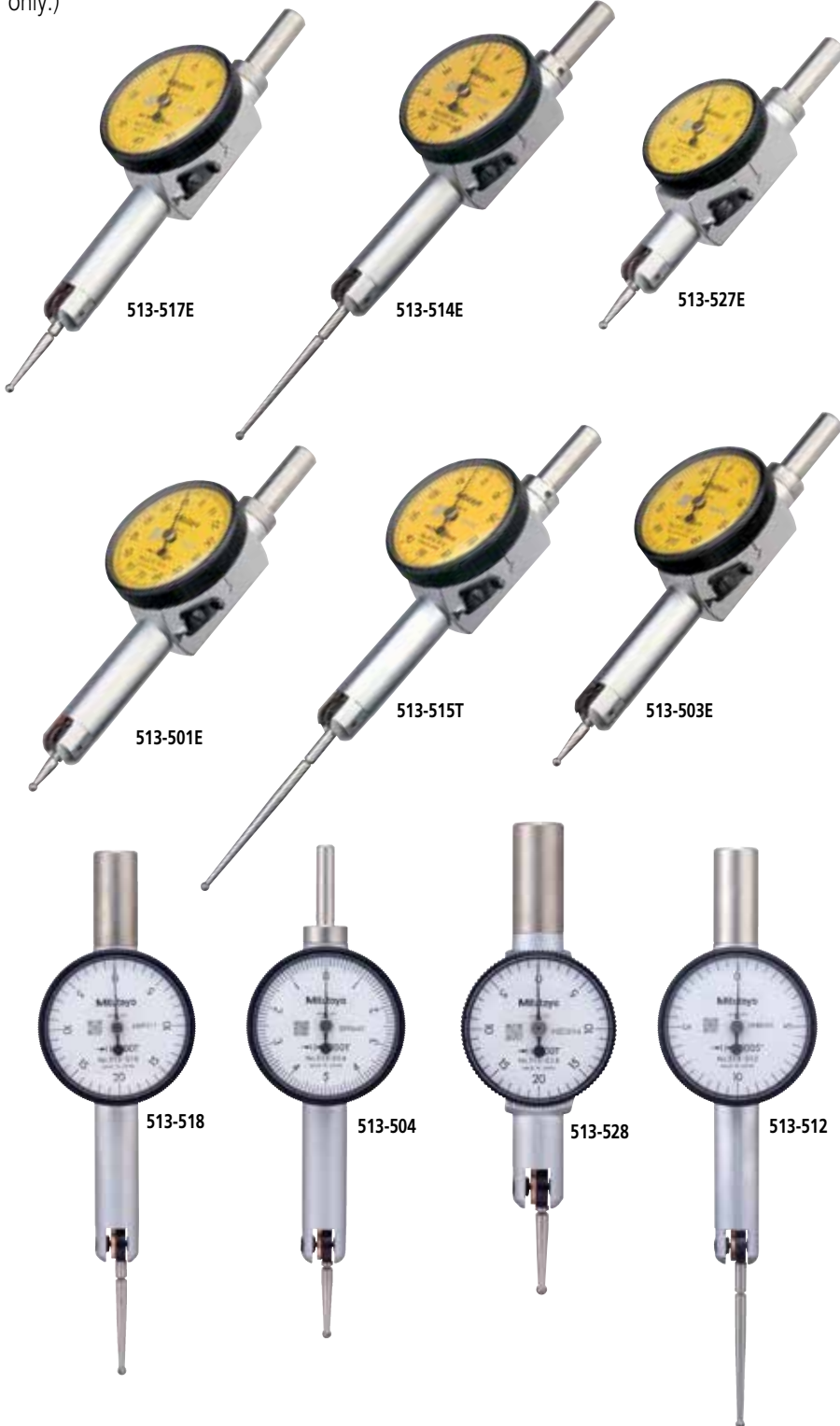


Pocket Dial Test Indicators

SERIES 513

FEATURES

- Jeweled bearings ensure high sensitivity and accuracy.
- Reversible measuring direction.
- Two holding bars are supplied. (Full sets only.)
- Fully adjustable bezel/dial face.
- Contact point is adjustable within 220°.
- Bezel is sealed with an O-ring to keep out water / oil.



513-514E



513-517E
513-527E



513-515T



513-503E

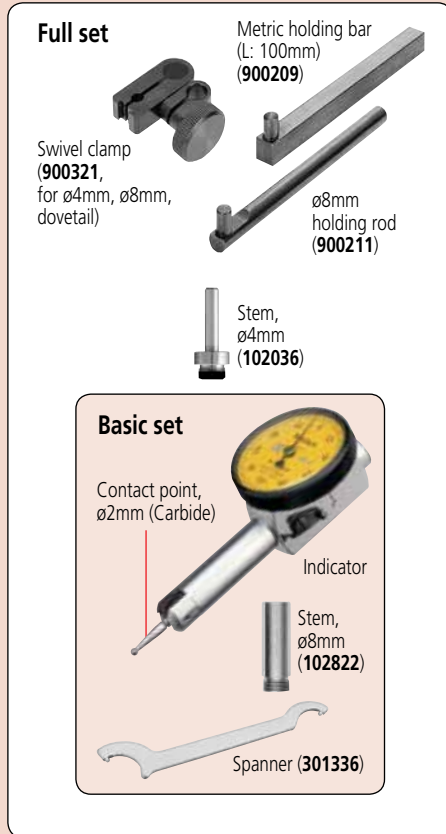


513-501E

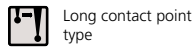
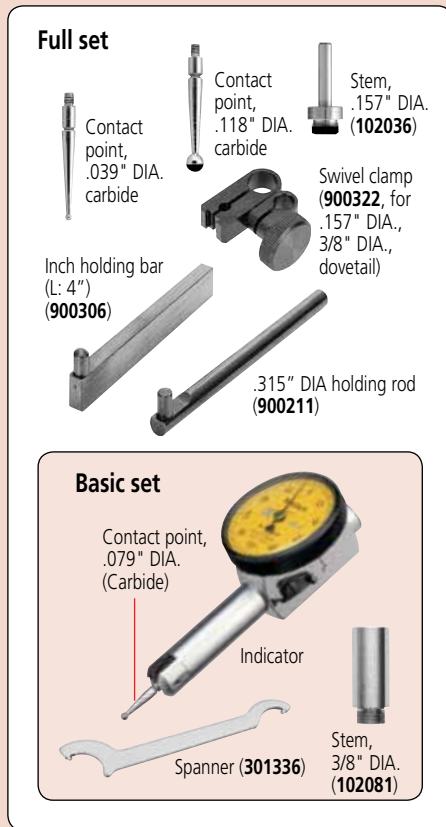
Optional Accessories

- : Swivel clamp
- : Holding bar
- : Stem
- : Contact points

Set Configuration: Metric



Set Configuration: Inch



SPECIFICATIONS

Metric

Graduation	Order No.		Range	Accuracy	Dial reading	Measuring force	L (mm)			
	Basic set	Full set								
0.01mm	513-514E	513-514T	0.5mm	10µm	0-25-0	0.3N or less	36.8	✓	✓	—
0.01mm	513-517E	513-517T	0.8mm	8µm	0-40-0	0.3N or less	20.9	—	✓	—
0.01mm	513-527E	513-527T	0.8mm	8µm	0-40-0	0.3N or less	14.7	—	✓	✓
0.01mm	—	513-515T	1mm	10µm	0-50-0	0.3N or less	44.5	✓	✓	—
0.002mm	513-503E	513-503T	0.2mm	3µm	0-100-0	0.3N or less	14.7	—	✓	—
0.001mm	513-501E	513-501T	0.14mm	3µm	0-70-0	0.4N or less	12	—	✓	—

Inch

Graduation	Order No.		Range	Accuracy	Dial reading	Measuring force	L (mm)			
	Basic set	Full set								
.001"	513-518	513-518T	.04"	±.001"	0-20-0	0.3N or less	26.5	—	✓	—
.001"	513-528	513-528T	.04"	±.001"	0-20-0	0.3N or less	18.7	—	✓	✓
.0005"	513-512	513-512T	.02"	±.0005"	0-10-0	0.3N or less	37.4	✓	✓	—
.0001"	513-504	513-504T	.01"	±.0002"	0-5-0	0.3N or less	18.7	—	✓	—

Optional Contact Points

Pocket Type

Order No.	1mm	2mm	3mm	0.5mm	0.7mm
513-501E	136756	136104	136758	—	—
513-503E 513-527E	103017	103010	103018	190547	190548
513-504 513-528	131314	103011	131315	—	—
513-512	131316	131324	131317	—	—
513-514E	137746	129949	137747	—	—
513-515T	136235	136013	136236	190656	190655
513-517E	103013	103006	103014	190549	190550
513-518	103008	103007	103009	—	—

DIMENSIONS AND MASS

