

### FEATURES

For high-precision measurements

- High-contrast dial face, sealed with O-ring
- Mineral glass viewing panel for best protection:
  - against cracking, scratching or damage caused by hot shavings
  - optimum resistance to solvents
- Matt chrome-plated protective casing with three integrated dovetail guide rails
- Shockproof measuring mechanism
- Anti-magnetic model
- Automatic adjustment to the contacting direction ensuring infallible readings
- Ball bearing mounted double lever
- Friction clutch overload protection
- **Package contains:** case, instruction manual, spanner for changing the styli, stylus dia.  $\varnothing 2$  mm, mounting shaft 800a8



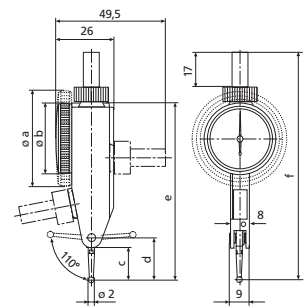
### Application:

- Measurement of concentricity, alignment, parallelism and flatness
- Centering of bores and shafts
- Parallel or perpendicular alignment of work pieces

### TECHNICAL DATA

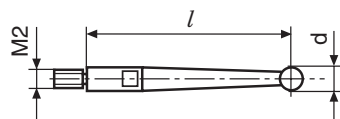
| Order no.                       |               | 4308150   | 4308200 | 4308205   | 4308250          |
|---------------------------------|---------------|-----------|---------|-----------|------------------|
| Product type                    |               | 800 SM    | 800 SGM | 800 SGM-R | 800 SRM          |
| Measuring range                 | mm            | $\pm 0.1$ |         |           | $\pm 0.2$        |
| Graduation value                | mm            | 0.002     |         |           |                  |
| Measuring surface               |               | carbide   |         | ruby      | carbide          |
| Scale diameter                  | mm            | 28        | 38      |           |                  |
| Type of dial face               |               | 100–0–100 |         |           |                  |
| Dial color                      |               | Yellow    |         |           |                  |
| Measuring force                 | N             | 0.15      |         |           |                  |
| Range per rev.                  | mm            | 0.2       |         |           |                  |
| Deviation range $f_e$           | $\mu\text{m}$ | 3         |         |           |                  |
| Total deviation range $f_{ges}$ | $\mu\text{m}$ | 4         |         |           | 5                |
| Hysteresis $f_u$                | $\mu\text{m}$ | 2         |         |           | 3                |
| Partial measuring span $f_t$    | $\mu\text{m}$ | 2         |         |           |                  |
| Repeatability $f_w$             | $\mu\text{m}$ | 1.5       |         |           |                  |
| Standard                        |               | DIN 2270  |         |           | Factory standard |

| Order no. | a    | b  | c    | d    | e  | f  | Measuring anvil length |
|-----------|------|----|------|------|----|----|------------------------|
|           | mm   | mm | mm   | mm   | mm | mm | mm                     |
| 4308150   |      | 30 | 13.6 | 17.8 | 75 | 99 | 14.5                   |
| 4308200   | 40.5 |    | 13.6 | 17.8 | 75 | 99 | 14.5                   |
| 4308205   | 40.5 |    | 13.6 | 17.8 | 75 | 99 | 14.5                   |
| 4308250   | 40.5 |    | 13.6 | 17.8 | 75 | 99 | 14.5                   |



### ACCESSORIES

| Order no. | Product name  | Product type |
|-----------|---|--------------|
| 4305870   | Stylus $\varnothing 1.0$ mm, carbide, $l = 14.5$ mm | 800 ts       |
| 4305850   | Stylus $\varnothing 2.0$ mm, carbide, $l = 14.5$ mm | 800 ts       |
| 4305871   | Stylus $\varnothing 3.0$ mm, carbide, $l = 14.5$ mm | 800 ts       |
| 4309051   | Stylus $\varnothing 2.0$ mm, ruby, $l = 14.5$ mm    | 800 tsr      |
| 4305868   | Spanner   |              |



800 tb;800 tbr;800 te;800 ter;800 tl;800 tlr;800 ts;800 tsr;801 tl