

FEATURES

- Large, high contrast dial face
- Adjustable tolerance markers
- Lockable fine adjustment screw
- Shockproof movement
- Mounting shank and measuring spindle are both made of hardened stainless steel
- Measuring spindle is mounted in a high precision ball guide for minimal hysteresis
- Resistant to lateral forces (side play) acting on the measuring spindle
- Maximum sensitivity and accuracy are ensured by the jeweled movement in conjunction with the precision gears and pinions
- Box type protective housing
- Constant measuring force
- Measuring spindle can be retracted with either a screw in cable release or with a lifting knob
- Package contains: case

Application:

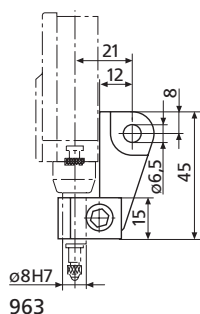
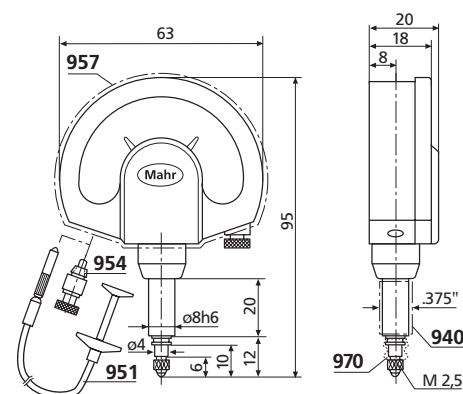
- Models with reduced / increased measuring force
- for measurements on thin walled, soft materials or delicate surfaces



TECHNICAL DATA

Order no.	4334075 4334070 4334050 4334076 4334071 4334010 4334011							
Product type	1003							
Measuring range	μm	± 50						
Graduation value	μm	1						
Type of dial face	50-0-50							
Error limit G_e	μm	1						
Error limit G_{ges}	μm	1.2						
Error limit G_t	μm	0.7						
Hysteresis f_u	μm	0.5						
Repeatability f_w	μm	0.5						
Standard	DIN 879-1						Factory standard	
Overtravel	mm	2.8						
Measuring force	N	0.3	0.4	0.5	0.6	0.7	2	3
Scale diameter	mm	50						
Dial color	Yellow							

Order no.	Mounting shaft	Scale diameter
	mm	mm
4334075	8	50
4334070	8	50
4334050	8	50
4334076	8	50
4334071	8	50
4334010	8	50
4334011	8	50



ACCESSORIES

Order no.	Product name	Product type
4310103	Adapter bushing (.375" / 8 mm)	940
4372000	Cable release (250 mm)	951
4372030	Lifting knob	954
4373030	Splash guard cover	957
4334786	Rubber bellows	970
4375002	Lug back to mount on mounting shank 8h6 mm	963