



**Draftshield**  
Protects the sample from external influences, increasing the speed and repeatability of measurements



**Connectivity**  
Expanded connectivity options including RS232, USB Host, USB Device and Ethernet



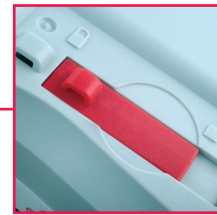
**Weigh Below Hook**  
The integral weigh below hook on the bottom of the Scout allows for density determination or specific gravity calculations



**Security Slot**  
Integrated security slot prevents theft

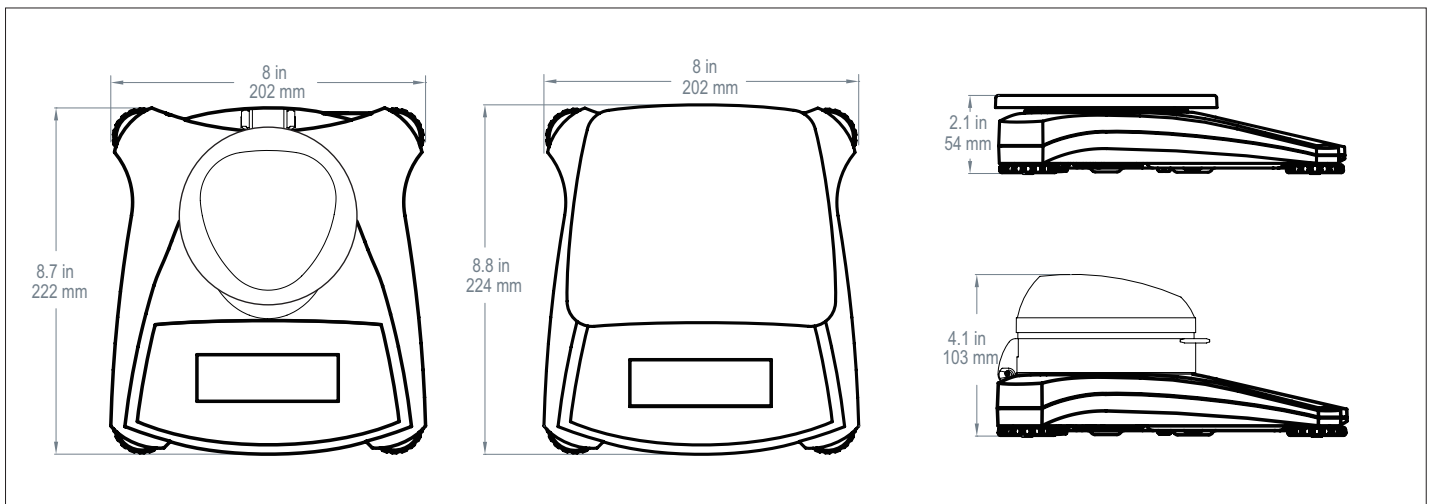


**Large Backlit LCD Display**  
High contrast LCD Display shows weight and application data clearly, even in poor lighting conditions



**Lockswitch**  
The Scout can be locked into a specific configuration using the lockswitch

## Outline Dimensions



# Scout® Portable Balances

Model	SPX123	SPX223	SPX222	SPX422	SPX622	SPX1202	SPX2202	SPX421	SPX621	SPX2201	SPX6201	SPX8200	
Capacity (g)	120	220	220	420	620	1200	2200	420	620	2200	6200	8200	
Readability (g)	0.001	0.001	0.01	0.01	0.01	0.01	0.01	0.1	0.1	0.1	0.1	1	
Repeatability (Std. Dev.) (g)	0.002	0.002	0.01	0.01	0.01	0.02	0.02	0.1	0.1	0.1	0.1	1	
Linearity (g)	0.003	0.003	0.01	0.01	0.02	0.03	0.03	0.1	0.1	0.1	0.2	1	
Capacity × Readability (kg)	N/A	N/A	N/A	N/A	N/A	1.2 × 0.00001	2.2 × 0.00001	N/A	N/A	2.2 × 0.0001	6.2 × 0.0001	8.2 × 0.001	
Capacity × Readability (lb)	N/A	N/A	N/A	N/A	1.36690 × 0.00005	2.64555 × 0.00005	4.85020 × 0.00005	N/A	1.3670 × 0.0005	4.8500 × 0.0005	13.6685 × 0.0005	18.080 × 0.005	
Span Calibration Mass*	100 g	200 g	200 g	200 g	300 g	1 kg	2 kg	200 g	300 g	2 kg	5 kg	8 kg	
Linearity Calibration Mass	50, 100 g	100, 200 g	100, 200 g	200, 400 g	300, 600 g	500g, 1 kg	1 kg, 2 kg	200, 400 g	300, 600 g	1 kg, 2 kg	3 kg, 6 kg	4 kg, 8 kg	
Stabilization Time (s)	1.5	1.5	1	1	1	1.5	1.5	1	1	1	1	1	
Construction	ABS housing & stainless steel pan												
Draftshield	Yes		No										
Calibration	User-selectable external span or linearity calibration/Digital with external weight												
Tare Range	Full capacity by subtraction												
Weighing Units**	g, kg, ct, N, oz, ozt, dwt, lb, lb:oz, grn, Tael (HongKong), Tael (Singapore), Tael (Taiwan), tical, tola, Customer unit 1												
Application Modes	Weighing, Parts Counting, Percent Weighing, Check Weighing, Totalization, Display Hold												
Power Requirement	AC adapter (included) or 4 AA batteries (not included)												
Typical Battery Life (Hours)	80		120		80			120			80		120
Communication	RS232, USB Host, USB Device or Ethernet (available as an accessory)												
Display Type	Liquid crystal display (LCD) with backlight												
Display Size	0.78 in/20 mm digits												
Overload Capacity	10 times rated capacity												
Operating Temperature Range	50°F / 10°C to 104°F / 40°C at 10% to 80% relative humidity, non-condensing												
Storage Conditions	-20°C (-4°F) to 55°C (131°F) at 10% to 90% relative humidity, non-condensing												
Pan Size (W × D)	93 mm		120 mm			170 × 140 mm		120 mm		170 × 140 mm			
Balance Dimensions (W × D × H)	202 × 222 × 103 mm		202 × 224 × 54 mm										
Shipping Dimensions (W × D × H)	300 × 250 × 129 mm		300 × 250 × 86 mm										
Net Weight	1 kg												
Shipping Weight	1.5 kg												

\* Span calibration weight is included with models up to 620g capacity.

\*\* Availability is dependent on model and region.

## Other Standard Features and Equipment

Transportation lock, stainless steel pan, menu & calibration lockout switch, slip-resistant and adjustable feet, leveling bubble, mechanical and software overload/underload protection, stability indicator, auto tare, low battery indicator, auto shut-off, user-selectable printing options, user-selectable communication settings

## Compliance

- **Product Safety:** IEC/EN 61010-1; CAN/CSA C22.2 No. 61010-1; UL Std. No. 61010-1
- **Electromagnetic Compatibility:** IEC/EN 61326-1 Class B; FCC Part 15 Class B; Industry Canada ICES-003 Class

## Accessories

RS232 Interface Kit .....	30268982
USB Host Interface Kit .....	30268983
USB Device Interface Kit .....	30268984
Ethernet Interface Kit .....	30268986
Stacking & Storage Cover (6 pcs) .....	30268987
Stacking & Storage Cover (1 pc) .....	30268988
Printer, Impact, SF40A .....	30045641
Auxiliary Display Kit .....	30269019
Security Device .....	80850043
Top Loading Kit for Density Determination ...	30269020
Carrying Case .....	30269021
In-use Cover .....	30269022